

For Replacement Parts, Call 1-800-397-7553

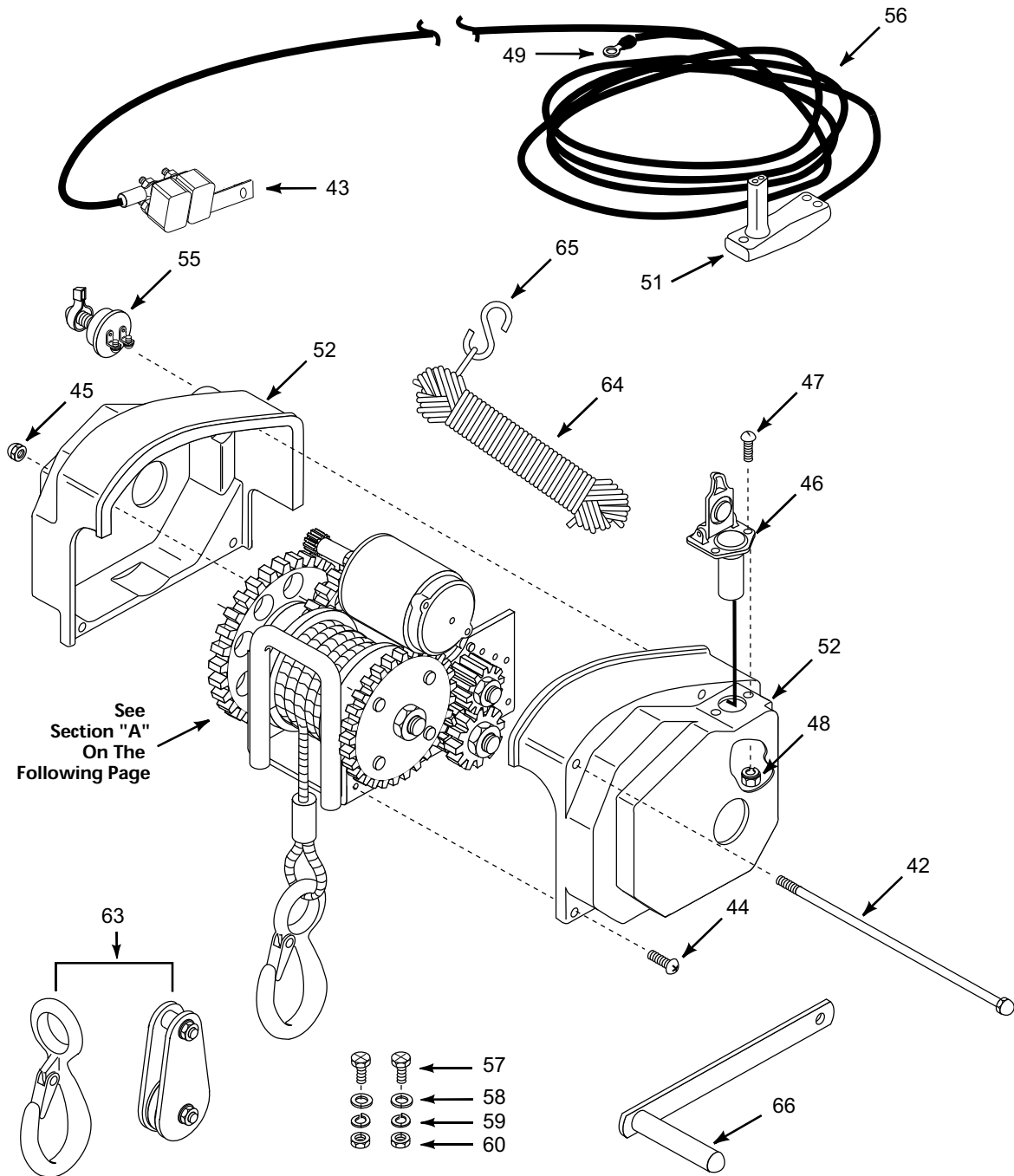
Replacement Parts List

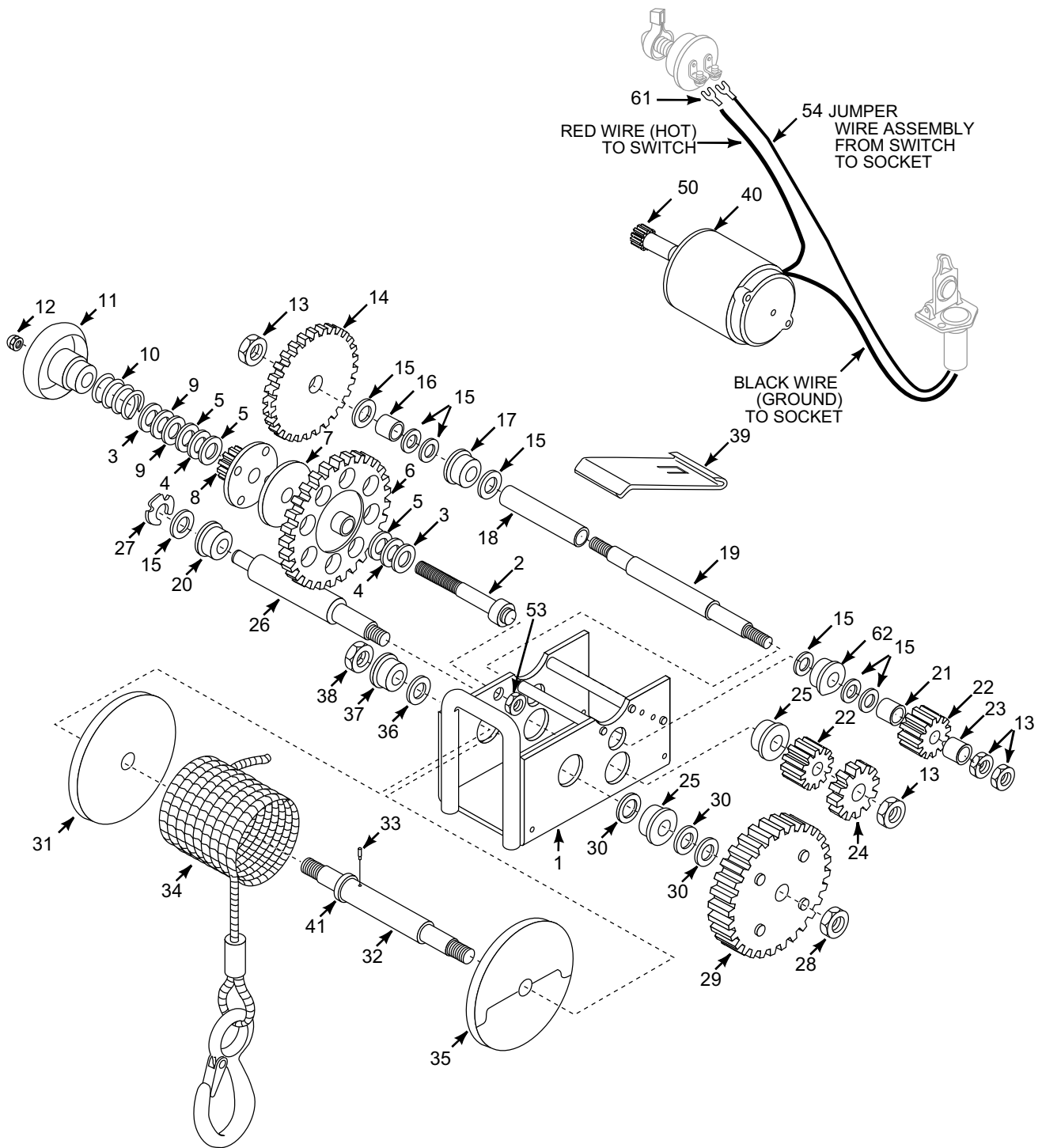
PART NUMBER	DESCRIPTION	ITEM
P7188800AJ	REPLACEMENT CABLE	A
P7160901AJ	CLUTCH WASHER KIT	B
P7811700AJ	SWITCH KIT	C
P7940200AJ	CLUTCH KNOB KIT	D
P7810300AJ	SOCKET KIT (*)	E
R001288	LEVELWIND PLATE KIT (*)	F
R001289	BEARING KIT	G
R001290	GEAR KIT	H
R001291	120T GEAR KIT	I
P10544	COVER KIT (*)	J
R001293	SHAFT KIT	K
R001294	FASTENER KIT	L
R001295	MOTOR WITH GEAR	M
P7830201AJ	WIRING HARNESS	N
P7904300AJ	PULLEY BLOCK	O
P7704100AJ	EMERGENCY HAND CRANK	P
P7901300AJ	LANYARD CORD	Q

* Denotes fasteners are included with kit

800 397 7553

Replacement Parts List T4000





800 397 7553

For Replacement Parts, Call 1-800-397-7553

Please provide following information:

- Model number
- Serial number (if any)
- Part descriptions and number as shown in parts list

Address parts correspondence to:

Powerwinch
301 Lawton Ave
Monroe, OH 45050

Ref. No.	Description	Part Number	Qty	Ref. No.	Description	Part Number	Qty
1	Frame assembly	P70102	1	46	Socket	P78103	1
2	Clutch stud assembly	P71101	1	47	#10-32 x 1/2"		
3	Thrust race	P71612	2		Phillips head machine screw	ST071621AV	2
4	Thrust bearing	P71609	2	48	#10-32 Hex nut	P79701	2
5	Thrust washer	P71613	3	49	12-10 Ring terminal-5/16" stud	ST072726AV	1
6	Compound drive gear assembly	P71759	1	50	Motor gear, 12T, RH	P71714	1
7	Clutch lining	P73602	1	51	Power cable plug	P78105	1
8	Pinion clutch gear assembly	P71755	1	52	Cover	P10544	1
9	Spring washer	P79800	2	53	1/2-20 Hex nut	P79713	1
10	Backlash spring	P71902	1	54	Jumper wire (socket to switch)	P78086	1
11	Clutch knob	P79402	1	55	Switch w/hardware	P78117	1
12	3/8-24 jam nut	P10122	1	56	Wiring harness assembly	P78302	1
13	1/2-20 Lock nut	P79738	4	57	3/8-16 x 1-1/4" Hex head machine screw	P78654	2
14	Drive gear 57 T	P71703	1	58	3/8" Plain washer	ST070913AV	2
15	Washer	P71822	8	59	3/8" Lockwasher	P79804	2
16	Rear shaft spacer, long	P71818	1	60	3/8-16 Hex nut	P79710	2
17	Bearing	P71607	1	61	12-10 Spade terminal-1/4" stud	ST072727AV	2
18	Rear shaft spacer	P71819	1	62	Rear shaft bearing-dbl row	P71608	1
19	Rear gear shaft,	P71201	1	63	Pulley block	P79043	1
20	Rear shaft bearing-dbl row	P71608	1	64	Lanyard cord	P79014	1
21	Rear gear spacer	P71817	1	65	"S" hook	P79013	1
22	Pinion gear 12T	P71704	2	66	Hand crank	P7704100AJ	1
23	Rear shaft spacer, short	P71816	1				
24	Idler gear 24T	P71796	1				
25	Bearing-dbl row, cable shaft	P71606	2				
26	Intermediate shaft	P71301	1				
27	Retaining ring	ST070233AV	1				
28	Tri-loc nut	P79715	1				
29	Cable shaft gear assembly	P71795	1				
30	Spacer washer	P71821	3				
31	Cable shaft flange, solid	P71951	1				
32	Cable shaft	P71401	1				
33	Cable fastener	P71858	1				
34	7/32" x 40' Cable assembly	P7188800AJ	1				
35	Cable shaft flange, split	P71953	1				
36	Spacer	P71820	1				
37	Cable shaft bearing	P71605	1				
38	5/8"-16 Hex jam nut	P79716	1				
39	Levelwind plate	P70205	1				
40	Motor assembly	P90004	1				
41	Cable collar (left hand)	P79088	1				
42	Cover rod	P75603	2				
43	Circuit breaker 60 amp	P78373	1				
44	#10-32 x 1/2" Self tapping Phillips hd. mach screw	P79566	4				
45	#6-32 Acorn nut	P79719	4				

800 397 7553